

DN44BOB

DIGITAL MATRIXES

DANTE® Digital Audio Interface



PRODUCT OVERVIEW

ECLER DN44BOB is a 4 inputs and 4 outputs DANTE® (Audio Over IP) Break Out Box. It allows to convert 4 analogue audio signals into 4 DANTE® channels and send them into an Ethernet LAN, as well as to take 4 DANTE channels from the Ethernet network and convert them to analogue audio signals. It includes 4 GPI control ports (0-10VDC) and 4 GPO control ports (NO/NC relays).

It can be used together with EclerNet DANTE® ready products or as a stand-alone DANTE® interface, together with any audio device including analogue audio inputs and/or outputs.

KEY FEATURES

- Ethernet, interface, DANTE® audio and EclerNet compatible
- 4 MIC/LINE balanced inputs, with Phantom Power and 3 sensitivity levels, Euroblock connector
- 4 balanced LINE Outputs, Euroblock connector
- 4 GPI ports (0-10VDC)
- 4 GPO ports, NO / NC
- Rack-mount kit included: 1UHRMKIT + PUM3- Rack-mount accessories to mount 2 half- width RU devices in 1 standard width RU space or to mount 1 half- width RU device in 1 standard width RU space

APPLICATIONS

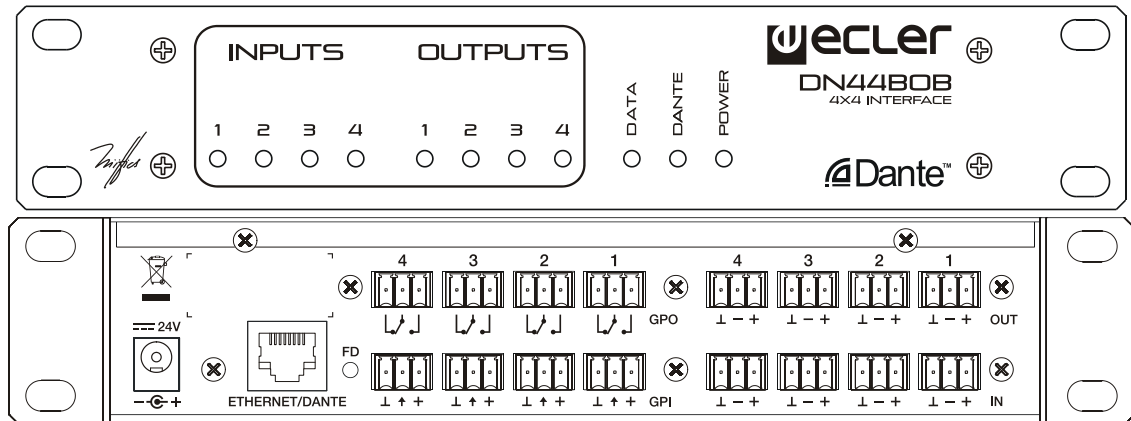
- Retail
- Hospitality
- Leisure
- Corporate
- Sports & Wellness

TECHNICAL SPECIFICATIONS

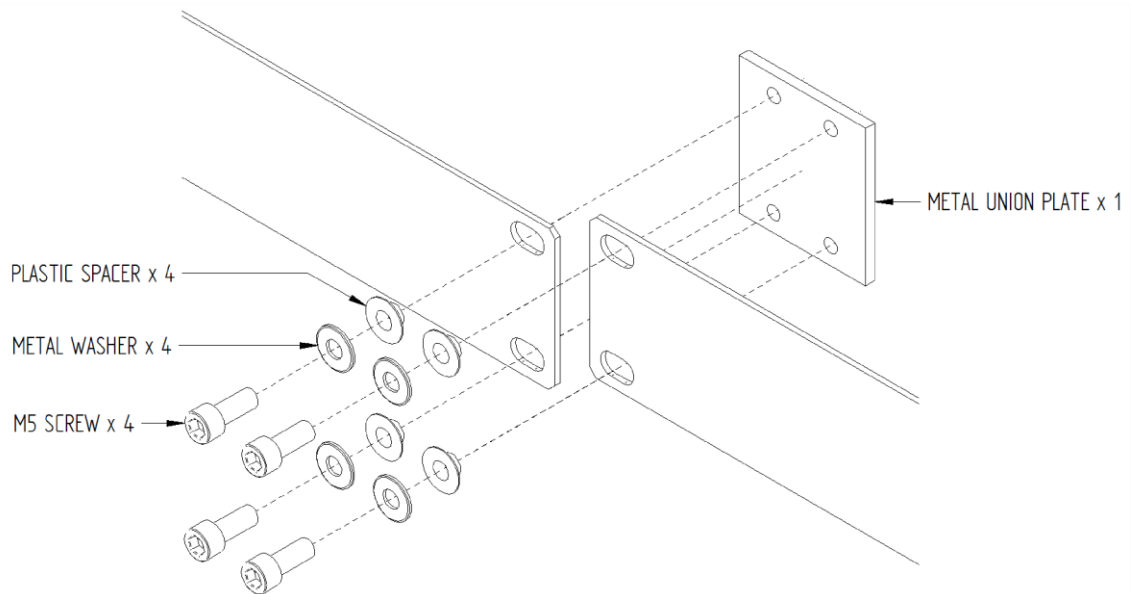
DN44BOB	
DSP	
DSP	32bit
Sampling Rate	44.1/ 48 / 88.2 / 96 kHz
Latency (fs = 48kHz)	1ms
AD/DA Converters	
Resolution	24bit AKM
Dynamic Range	AD:110dB; DA: 115dB
Latency (fs = 48kHz)	AD 0,81ms; DA: 0,56
Analog Input/Output	
4 Input/Output	Phoenix connector (Symmetrical)
Analog Input headroom	+27dBV = +30dBu
Max. output level	+18dBV = +21dBu
Input sensitivity @ 0dBV out	From -50dBV to +10dBV in 0.5dB step
Input Impedance	Balanced, >4k Ω
Phantom power	+18VDC, 5mA max. software switched
Frequency response (-3dB)	5Hz to 24kHz
Flatness	better than ± 0.1 dB
THD+Noise @ 1kHz, 0dBV input (line)	<0.004%
THD+Noise @ 1kHz, -40dBV input (mic.)	<0.008%
Output Noise floor FFT (20Hz - 20kHz)	better than 115dB
Interchannel crosstalk (20Hz - 20kHz)	better than 90dB (100dB typ.)
Channel Leakage (20Hz - 20kHz)	better than 100dB (115dB typ.)
CMRR 20Hz- 20kHz	65dB typ.
DANTE® Audio Interface	
DANTE® Network Inputs/Outputs	4 / 4
Latency	1 / 2 / 5ms (selectable)
Connector	1 x RJ45
Cable length between devices	100m CAT5 or CAT5e/CAT6
Processing	
Input Level (x4)	Range: from Off to 0 dB Mute: Yes Signal Polarity reverse: Yes Metering: VU+clip pre & post fader
Output Level (x4)	Range: from Off to 0 dB Mute: Yes Solo: Yes Signal Polarity reverse: Yes Metering: VU+clip pre & post fader
Output Gain (x4)	Range: from 0 to +6dB
Built in Signal Generator	Sine: from 20Hz to 20kHz Polarity: from 20Hz to 20kHz White noise Pink noise
Output Limiter (x8)	Bypass On-Off

Mechanical	
Dimensions (WxHxD)	241x44x152mm
Weight	1.1kg
Supply	
DC supply	24 VDC
Mains (Using supplied DC adapter)	100-240VAC 50-60Hz
Power consumption	6.5 W
Miscellaneous	
Management Connectivity	Ethernet Base-Tx 10/100Mb; Auto X-Over CAT5 up to 100m.
GPI	4, from 0 to 10VDC or TTL level
GPO	4, 3 poles isolated relay; 1A, 48 VDC max
Software	
EclerNet Manager	From v3.05r2 version
Operating System	Windows® 10; W8.1; W8; W7; Vista (SP1); XP Prof. (SP3); W2000 Prof. (SP4)
Minimum EclerNet System Requirements	Pentium IV @ 1GHz 512MB RAM 40MB HDD free space 800x600 pixels & 16bits colour display 10/100/1G Ethernet Network card

MECHANICAL DIAGRAMS



MOUNTING PUM3 DIAGRAMS





All product characteristics are subject to variation due to production tolerances. **NEEC AUDIO BARCELONA S.L.** reserves the right to make changes or improvements in the design or manufacturing that may affect these product specifications.

Motors, 166-168 08038 Barcelona - Spain - (+34) 932238403 | information@ecler.com | www.ecler.com