

CM-6

Article number: 1008157

The SI SERIES CM-6 is a high-quality coaxial in-ceiling speaker with 6.5" polypropylene woofer/midrange transducer and 1" aluminum dome tweeter. Equipped with high-quality, high-performance components, integrated wave guides and the uncompromising sound quality known from SI SERIES.

Its discreet, customizable appearance with magnetically attached white or black front grille makes it the perfect addition to the SI SERIES toolbox. A specially developed and stiffened steel back can makes it absolutely resonance-free. A front-operated 100/70 V transformer with bypass option and detailed equalization via DSP ensure the highest possible sound quality.

The CM-6 plays to its strengths wherever music and speech are not to take place exclusively in the background. For example in restaurants, hotels, conference rooms, retail outlets, community and club houses as well as exhibitions and galleries. Subwoofer models such as the SI SERIES S210 V or FINEO FO S112 (F) are ideal for providing support in the low frequency range.

In addition to high-quality music and speech reinforcement the SI SERIES CM-6 also offers the option of being used as part of an ENS (electro-acoustic emergency warning system) in accordance with EN 50849. Simulation data in GLL format for EASE (4.4/5) and EASE EVAC (2) is available to support the planning of demanding projects.

With optionally available C-rings and load distribution bridges, the SI SERIES CM-6 can also be installed in suspended ceiling systems with limited load-bearing capacity.

Features:

- Coaxial in-ceiling speaker with 6.5" polypropylene woofer/midrange transducer and 1" aluminum dome tweeter
- High sound quality thanks to passive crossover and detailed DSP equalization
- Black and white front grille with magnetic mounting included as standard
- Homogeneous sound when used with other HK Audio installation series such as VORTIS (2), FINEO and in combination with other SI SERIES speakers
- Stiffened steel back can makes it resonance-free
- Rotary switch accessible without tools for switching between Low-Z (8 ohms) or High-Z (100/70 V) and the respective power taps of the integrated transformer
- Two different cover plates for cable routing with curved outlet or PG gland included as standard
- Electrical connection with two 2-pin Euroblock plugs
- Max. clamping range for ceiling installation 40 mm
- Filter data for eleven different digital signal processors (DSPs)
- Simulation data in GLL format for EASE (4.4/5) and EASE EVAC (2)
- Can be used as part of an ENS (electro-acoustic emergency warning system) in accordance with EN 50849
- C-rings and load distribution bridges for installation in suspended ceiling systems with limited load-bearing capacity



Characteristics

Concept	Ceiling Mounted Speaker
Cabinet principle	Bassreflex
Power handling RMS	50 W (low-Z), 15 W max. (high-Z 100 V)
Power handling program	100 W (low-Z)
Power handling peak	200 W (low-Z)
Power handling 100 V (5 taps)	15 W, 10 W, 7.5 W, 5 W
Power handling 70 V (5 taps)	7.5 W, 5 W, 3.8 W, 2.5 W
Nominal impedance (low-Z) ¹⁾	8 ohms
Nominal impedance (high-Z power taps) ¹⁾	650 ohms, 900 ohms, 1300 ohms, 2000 ohms
Max. SPL average (low-Z) ²⁾	108 dB
Max. SPL average (high-Z, 15 W tap) ²⁾	104 dB
Max. SPL peak (low-Z) ³⁾	114 dB
Max. SPL peak (high-Z, 15 W tap) ³⁾	110 dB
Sensitivity 1W/1 m (low-Z) ⁴⁾	89 dB
Crossover frequency	3 kHz
Frequency range -6 dB	75 Hz - 20 kHz
Frequency range -10 dB	62 Hz - 20 kHz
Dispersion angle -6 dB (circular) ⁵⁾	140°

Certifications

Flame retarding ABS (IEC 60695-11-10/-20) class V-0/5VB	certified
Ball impact resistance (DIN 18032-3)	not specified
IP protection class (EN 60529)	not specified (indoor use only)

Components

Low-/mid frequency	6.5" polypropylene speaker with ferrite magnet and 1" voice coil
High frequency	1" aluminium dome tweeter with neodymium magnet and 1" voice coil with ferrofluid
Crossover	High pass: 18 dB/octave, low pass: 12 dB/octave
Horn	Integrated wave guides

Connections

Input	2-pole Euroblock connector
Output/parallel output	2-pole Euroblock connector, wired in parallel

Amping/Filter Sheets

Filter specifications in tabular form for frequency response equalization Without limiter specifications	Biamp Tesira, BSS, Lab.gruppen Lake, Lab.gruppen IPD/IPX, LEA Professional, Linea Research, Marani, Powersoft, QSC Q-SYS, Ram Audio, Symetrix
--	---

Mechanical data

Mounting clamps	3 x front-accessible mounting clamps with max. 40 mm (0.4 inch) grip range
Safety features	2 x bracket for safety wires/chains or cable fastening
Cover plates	2 x cover plate included, with curved cable entries or with hole for PG gland
Rotary switch for power taps	1 x front-accessible rotary switch for bypassing the transformer for low-impedance (8 ohms) operation or for power taps at 100/70 V
Cabinet material	Metal back-can with low-resonance, partially curved shape
Color	Black and white front grille included
Front grille	Rimless design with magnetic attachment
Optional accessories	C-ring and tile bridges
Dimensions (diameter x total depth (installation depth))	273 x 177 (171) mm 10.75 x 6.97 (6.73) inch
Cut-out diameter	240 mm (template included)
Weight	3.75 kg / 8.23 lbs

- 1) According to EN 60268-5 (minimum value not less than 80% of nominal value)
- 2) 1 m, 10 % THD @ 100 Hz - 10 kHz, (EN 60268-21), half space
- 3) 1 m, 10 % THD @ 4.5 kHz, half space
- 4) 100 Hz - 20 kHz, half space
- 5) 100 Hz - 10 kHz



Declaration of conformity

EU-Konformitätserklärung

This is to certify that
HK AUDIO SI-SERIES
CM-4 • CM-6 • CM-8 •

comply with the provisions of the Directive 2011/65/EU on the restriction of the use of certain hazardous substances in electrical and electronic equipment (RoHS).

This declaration of conformity of the European Union is the result of an examination carried out by the Quality Assurance Department of STAMER MUSIKANLAGEN GmbH in accordance with European Standards EN IEC 63000:2018 for RoHS.



Stamer Musikanlagen GmbH
Magdeburger Str. 8, 66606 St. Wendel, Germany

L. Stamer
Lothar Stamer, Dipl. Ing.
Managing Director
St. Wendel, 01/19/2024

Für die nachfolgend bezeichneten Erzeugnisse

HK AUDIO SI-SERIES

CM-4 • CM-6 • CM-8 •

wird hiermit bestätigt, dass sie den wesentlichen Schutzanforderungen entsprechen, die in der Richtlinie 2011/65/EU zur Beschränkung der Verwendung bestimmter gefährlicher Stoffe in Elektro- und Elektronikgeräten (RoHS) festgelegt sind.

Diese Erklärung gilt für alle Exemplare und bestätigt die Ergebnisse der Messungen, die durch die Qualitätssicherung der STAMER MUSIKANLAGEN GmbH durchgeführt wurden.

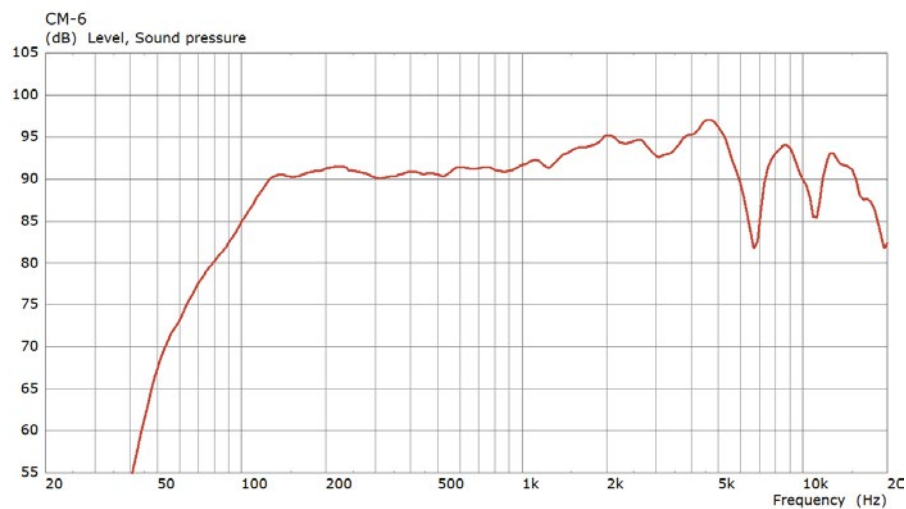
Zur Beurteilung der Einhaltung der RoHS-Richtlinie wurde folgende Norm herangezogen: EN IEC 63000:2018.



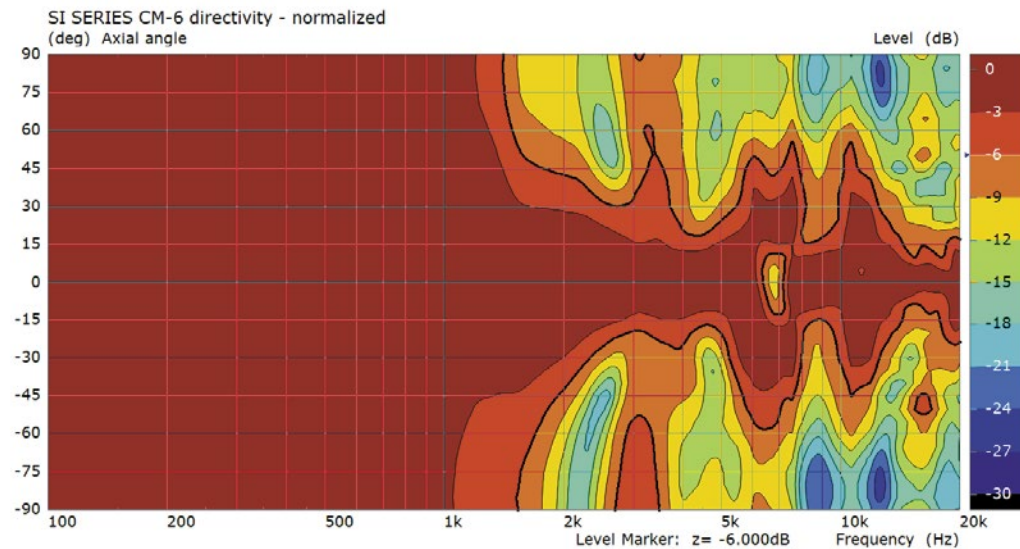
Stamer Musikanlagen GmbH
Magdeburger Str. 8, 66606 St. Wendel, Deutschland

L. Stamer
Lothar Stamer, Dipl. Ing.
Managing Director
St. Wendel, 19.01.2024

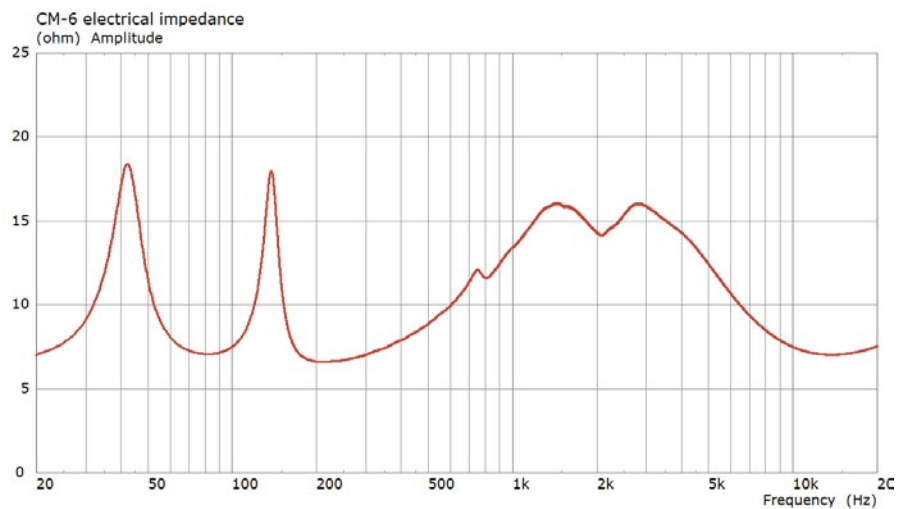
SI SERIES CM-6 Acoustic measurements



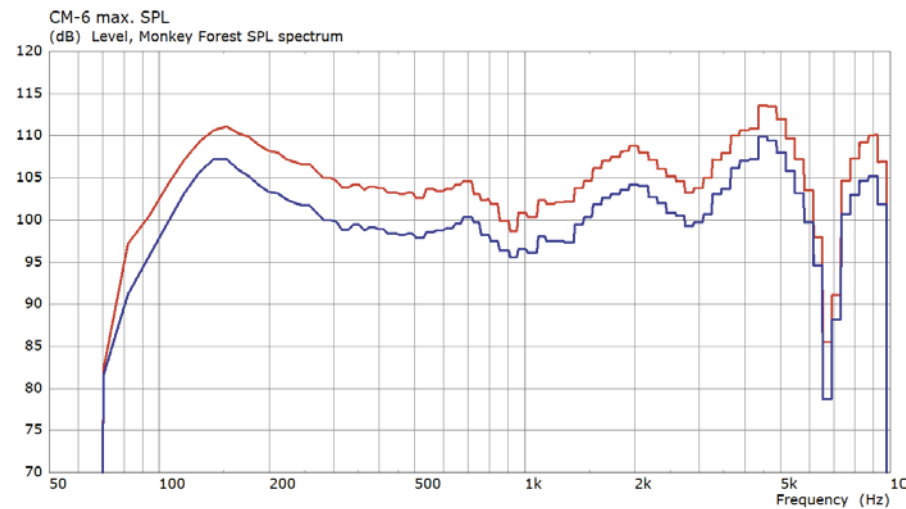
Frequency response with DSP preset



Directivity



Max. SPL (blue = 3 % THD, red = 10 % THD)



System frequency response in the crossover region with FO S112

SI SERIES CM-6 C-Ring

Article number: 1008192

A matching C-ring is used for mounting in ceilings with limited load-bearing capacity or, in combination with the load distribution bridges, in ceiling suspension systems.



SI SERIES CM-X Bridge Kit

Article number: 1008194

The load distribution bridges, which are always supplied in pairs and can also be bolted to it.

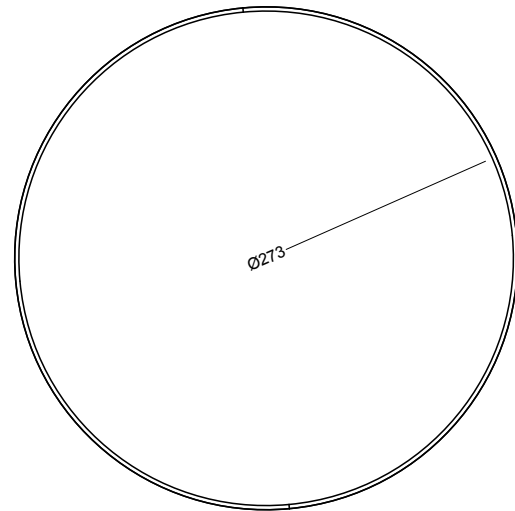


SI SERIES CM-6 Installation Kit

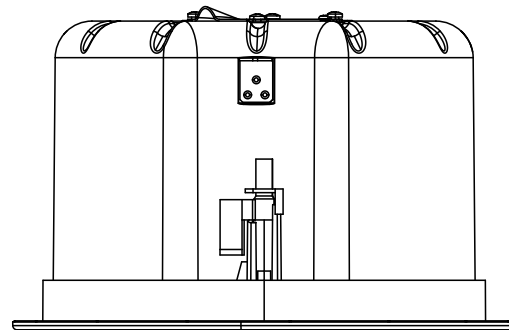
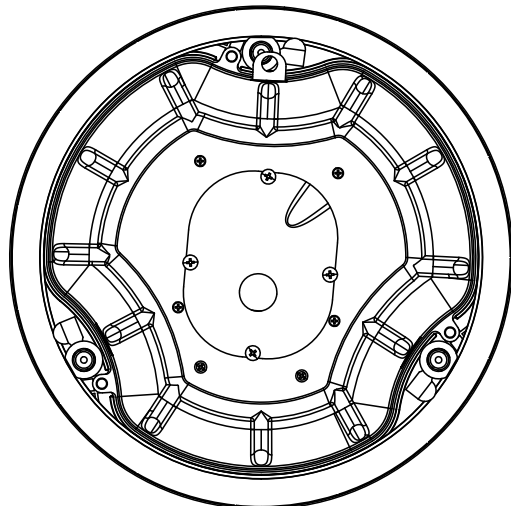
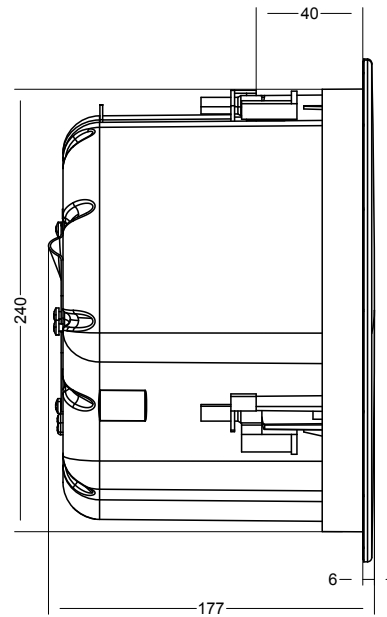
Article number: 1990212

The SI SERIES CM-6 installation kit consists of a C-ring and a set of load distribution bridges for the CM-6 in-ceiling loudspeaker. The ideal accessory package for safe installation in ceiling suspension systems!





max. mounting clamp grip range



HK Audio
Postfach 1509
66595 St. Wendel, Germany

info@hkaudio.com
fax +49-68 51-905 215
www.hkaudio.com
D-3316